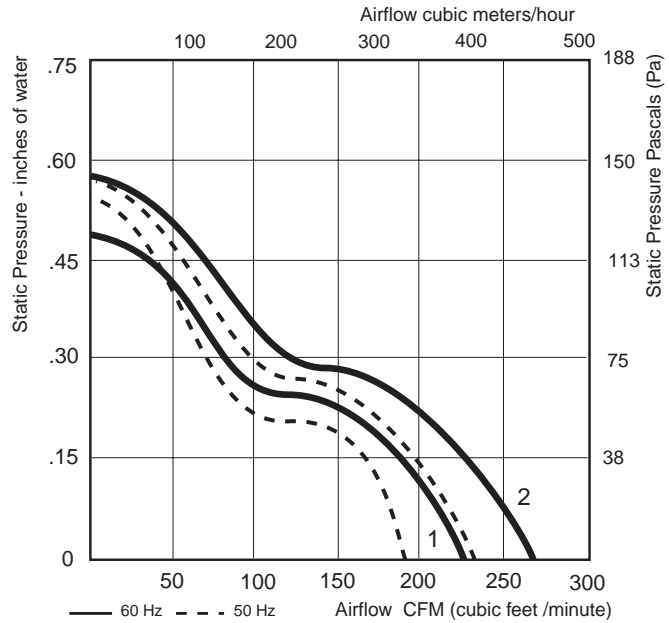
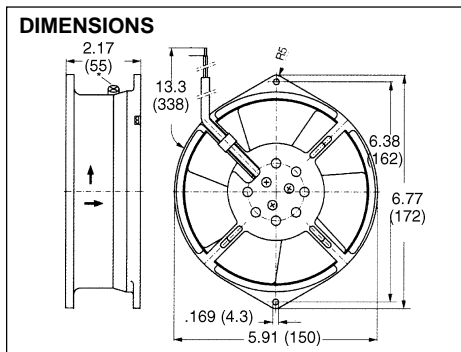


# 150 x 55mm (5.9" X 2.2") AC FAN

**W2S130**



## 5.91" X 2.17" AC Fan, All Metal, Air Exhaust – Over struts

Curve	PART NUMBER	Type of Bearing	AC Volts	Hertz	Watts	CFM @ 0"	dBA	Temp. Max °C	Wgt. (oz)	Features	Approvals*		
											UL	CSA	VDE
1	W2S130-AA25-01	Ball	115	50/60	38	225	52	80	39	20 AWG 13.3" Leads	√	√	√
1	W2S130-AA25-44	Ball	115	50/60	38	225	52	75	39	.110" Terminals	√	√	√
1	W2S130-AA25-51	Ball	115	50/60	38	225	52	75	39	Terminals, Hall Effect	√	√	√
1	W2S130-AA03-01	Ball	230	50/60	39	225	52	70	42	20 AWG 13.3" Leads	√	√	‡
1	W2S130-AA03-44	Ball	230	50/60	38	225	52	75	42	.110" Terminals	√	√	†
1	W2S130-AA03-51	Ball	230	50/60	38	225	52	75	42	Terminals, Hall Effect	√	√	†
1	W2S130-AA03-49	Ball	Dual	50/60	38	225	52	75	42	Leads, Dual Voltage	√	√	

## 5.91" X 2.17" AC Fan, Ball Bearing, All Metal, Air Intake – Over struts

2	W2S130-BM15-01	Ball	115	50/60	46	263	60	80	39	20 AWG 13.3" Leads	√	√	√
2	W2S130-BM03-01	Ball	230	50/60	46	263	60	80	39	20 AWG 13.3" Leads	√	√	√

UL yellow card E54522, CSA file LR43145, VDE file 1718  
(† VDE 1166, ‡ VDE file 836)

CONSTRUCTION MOUNTING & CONNECTION	<b>Mounting:</b>	From either face using two .169" (4.3mm) holes.	<b>Connection:</b>	Two spade terminals .110" (2.8mm) wide, .020" (.51mm) thick and .33" (8.5mm) long on .295" (7.5mm) centers or leads.
	<b>Weight:</b>	39 oz. (1100g); 42 oz (1200g)	<b>Options:</b>	IP54
	<b>Housing:</b>	Metal with metal impeller		