

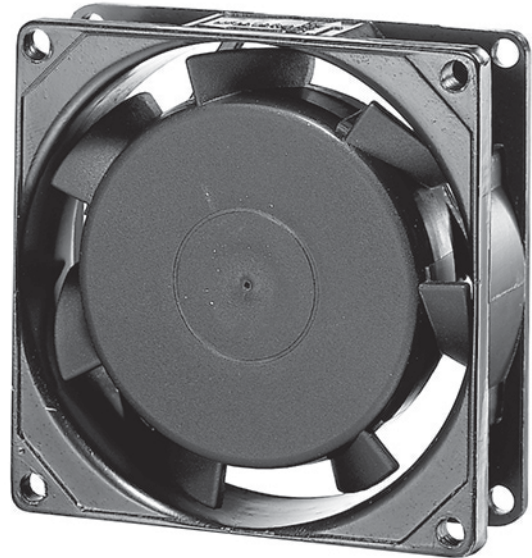
COMMONWEALTH AC AXIAL FAN

FP-108AX

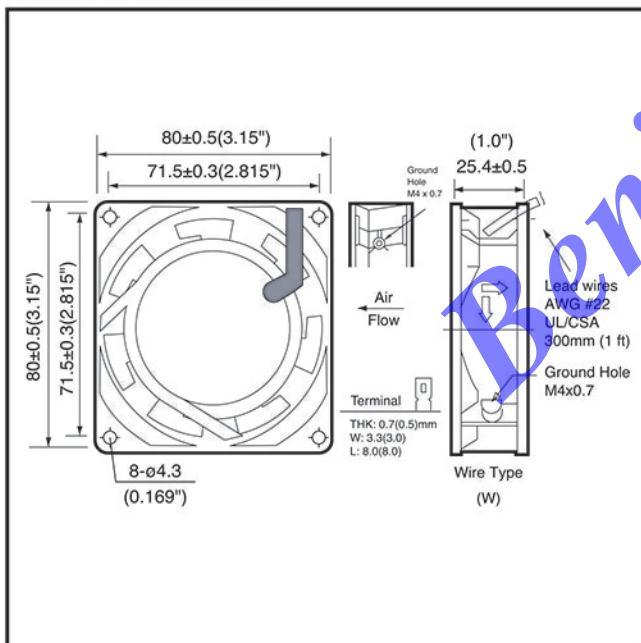
80x80x25.4mm GAMMA

DESIGN FEATURES

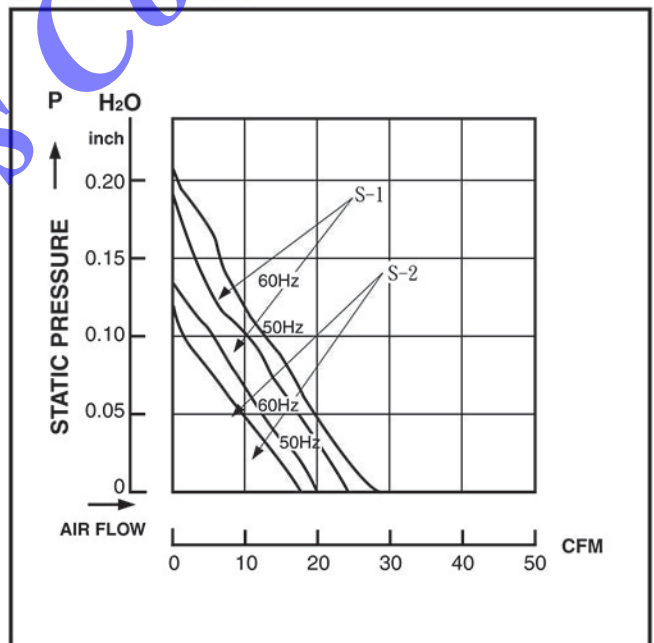
- ***BEARING SYSTEM:** SLEEVE BEARING & BALL BEARING
- ***IMPELLER:** PLASTIC WITH FIBER GLASS FILLED UL 94V-0
- ***HOUSING:** DIE CAST ALUMINUM & ZINC
- ***MOTOR:** SHADED POLE, IMPEDANCE PROTECTED
- ***CONNECTING:** WIRE LEADS
- ***SPEED:** S-1 HIGH SPEED TYPE
S-2 MEDIUM SPEED TYPE
- ***OTHER VOLTAGE:** 24, 48, 100, 380AC (50/60Hz) ARE AVAILABLE



DIMENSIONS:MM



PERFORMANCE



SPECIFICATIONS

Specifications are subject to change without notice

MODEL NO.	VOLT (VAC)	FREQUENCY (HZ)	AIR (CFM)	VOLUME (M ³ /MIN)	CURRENT (A)	POWER (W)	SPEED (RPM)	STATIC PRESSURE (INCH-H ₂ O)	NOISE (dBA)
FP-108AX (S-1)	110/120	50/60	21/23	0.60/0.67	0.19/0.17	13/14	2400/2800	0.18/0.21	29/33
FP-108AX (S-1)	220/240	50/60	21/23	0.60/0.67	0.12/0.10	13/14	2400/2800	0.18/0.21	29/33
FP-108AX (S-2)	110/120	50/60	17/18	0.48/0.51	0.11/0.10	11/10	2100/2500	0.13/0.14	25/29
FP-108AX (S-2)	220/240	50/60	17/18	0.48/0.51	0.09/0.08	11/10	2100/2500	0.13/0.14	25/29